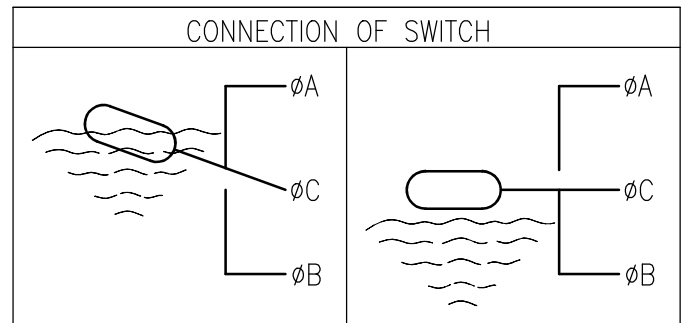


FOR	FLOAT TYPE LEVEL SWITCH
MOUNTING	SIDE
MAX. TEMP.	80 °C
MAX. PRESSURE	10 kgf/cm <sup>2</sup>
ENCLOSURE	Ex-PROOF(Ex d IIC T4, IP65)

SWITCH	TYPE & FORM	REED & 1-SPDT
	RATING	AC140V, 1A / DC150V, 1A
PROCESS CONN. SIZE	<input type="checkbox"/>	40A JIS 10K RF
	<input type="checkbox"/>	

CABLE ENTRY	PF 1/2"(F)
	<input type="checkbox"/>



NO.	DESCRIPTION	MATERIAL	REMARKS
1	BODY	SCS 13	
2	COVER	AL.C	
3	PROCESS CONN.	<input type="checkbox"/> 304 SS <input type="checkbox"/> 316L SS	
4	MAGNET HOLDER	316L SS	
5	FLOAT	316L SS	
6	STOPPER	304 SS	
7	LOCK	AL.C	

- NOTE
1. GENERAL TOLERANCE ±3mm EXCEPT AS NOTED.
  2. Q'TY : \_\_\_\_\_ SET(S)
  3. TAG NO. : \_\_\_\_\_

△	.	.			
△	.	.			
△	.	.			
△	.	.			
△	DEC. 2018	1ST ISSUE	Y H LEE	B S SUNG	Y H KIM
NO.	DATE	REVISION	REV'D BY	CHK'D BY	APP'D BY

<b>HITROL CO., LTD.</b>	SCALE	UNIT	SHEET NO.
	N.S	mm	✓
<b>FLOAT TYPE LEVEL SWITCH</b> <b>CS-1000</b>	PROJECT		
	DRAWING NO.		
	CS1000-BA-01		

This drawing is the property of HITROL and shall not be copied, communicated, or given for tiers except with our written permission