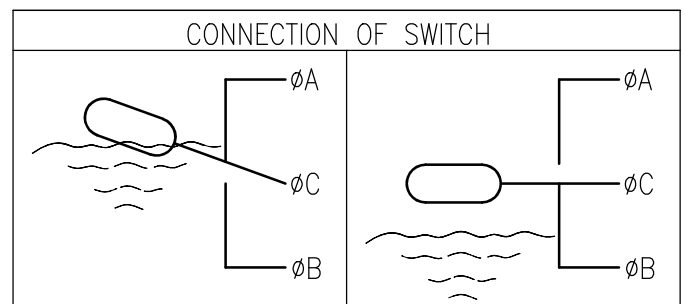


FOR	FLOAT TYPE LEVEL SWITCH
MOUNTING	SIDE
MAX. TEMP.	80 °C
MAX. PRESSURE	kgf/cm ²
ENCLOSURE	Ex-PROOF(Ex d IIC T4, IP65)

SWITCH	TYPE & FORM	REED & 1-SPDT
	RATING	AC140V, 1A / DC150V, 1A

PROCESS CONN. SIZE	PT 1-1/2"(M)
--------------------	--------------

CABLE ENTRY	PF 1/2"(F)
	<input type="checkbox"/>



NO.	DESCRIPTION	MATERIAL	REMARKS
1	BODY	SCS 13	
2	COVER	AL.C	
3	MAGNET HOLDER	316L SS	
4	FLOAT	316L SS	
5	EXTENSION TUBE	316L SS	
6	STOPPER	304 SS	
7	LOCK	AL.C	

	L	L1
<input type="checkbox"/>	308	200
<input type="checkbox"/>	358	250
<input type="checkbox"/>		

- NOTE
- GENERAL TOLERANCE ± 3 mm EXCEPT AS NOTED.
 - Q'TY : _____ SET(S)
 - TAG NO. : _____

△	.	.			
△	.	.			
△	.	.			
△	.	.			
△	AUG. 2018	1ST ISSUE	Y H LEE	B S SUNG	Y H KIM
NO.	DATE	REVISION	REV'D BY	CHK'D BY	APP'D BY

HITROL CO., LTD.	SCALE	UNIT	SHEET NO.
	N.S	mm	✓
FLOAT TYPE LEVEL SWITCH CS-1000L	PROJECT		
	DRAWING NO.		
	CS1000L-AA-01		

This drawing is the property of HITROL and shall not be copied, communicated, or given for tiers except with our written permission