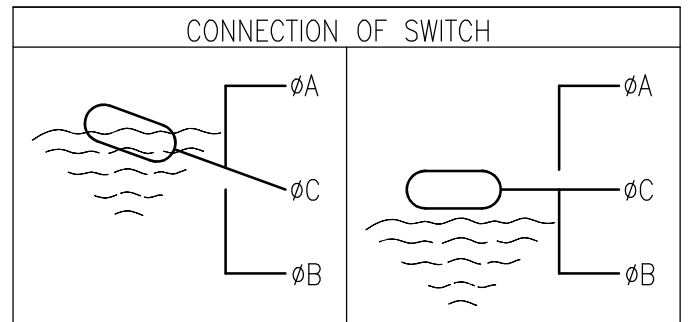


FOR	FLOAT TYPE LEVEL SWITCH
MOUNTING	SIDE
MAX. TEMP.	80 °C
MAX. PRESSURE	10 kgf/cm ²
ENCLOSURE	Ex-PROOF(Ex d IIC T4, IP65)

SWITCH	TYPE & FORM	REED & 1-SPDT
	RATING	AC140V, 1A / DC150V, 1A

PROCESS CONN. SIZE	<input type="checkbox"/> 40A JIS 10K RF
	<input type="checkbox"/>

CABLE ENTRY	PF 1/2"(F)
	<input type="checkbox"/>

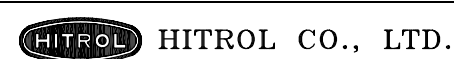


NO.	DESCRIPTION	MATERIAL	REMARKS
1	BODY	SCS 13	
2	COVER	AL.C	
3	PROCESS CONN.	<input type="checkbox"/> 304 SS <input type="checkbox"/> 316L SS	
4	MAGNET HOLDER	316L SS	
5	FLOAT	316L SS	
6	EXTENSION TUBE	316L SS	
7	STOPPER	304 SS	
8	LOCK	AL.C	

	L	L1
<input type="checkbox"/>	308	200
<input type="checkbox"/>	358	250
<input type="checkbox"/>		

- NOTE
- GENERAL TOLERANCE ±3mm EXCEPT AS NOTED.
 - Q'TY : _____ SET(S)
 - TAG NO. : _____

△	.	.			
△	.	.			
△	.	.			
△	.	.			
△	DEC. 2018	1ST ISSUE	Y H LEE	B S SUNG	Y H KIM
NO.	DATE	REVISION	REV'D BY	CHK'D BY	APP'D BY



HITROL CO., LTD.

TITLE

FLOAT TYPE LEVEL SWITCH
CS-1000L

SCALE N.S UNIT mm SHEET NO. /

PROJECT

DRAWING NO.
CS1000L-BA-01